



Tomahawk



Rgn No : 180788
ISO 9001:2000 Certified

Spring Vibration Isolators

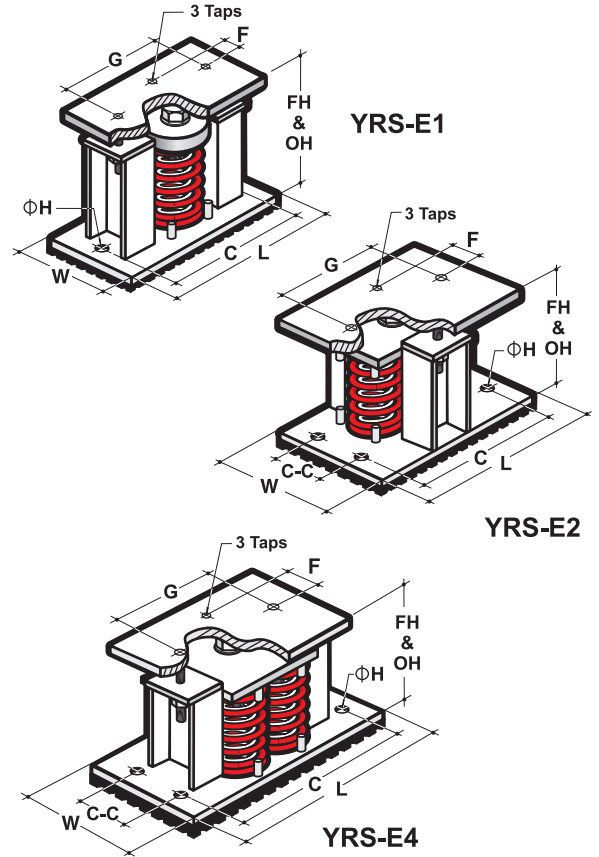
3-inch Rated Deflection

• YRS-E1 • YRS-E2 • YRS-E4

Tomahawk's 3-inch rated deflection, welded steel housing and restrained vibration isolators, YRS-E, consist of laterally stable, free standing, large diameter springs, with horizontal stiffness of at least 1.0 times the rated vertical stiffness with 50% overload capacity . The steel housing assemblies limit vertical movements of the equipment under isolation by the travel limit stop studs and the side support frames. The spring elements are assembled with top plate, spring mount plate, level adjustment nuts and base plate with acoustical pads. Bolting holes are provided in bottom base plate. Thanks for the high deflection (3-inch) design YRS-E models are typically recommended for equipment that undergo large amount of fluid load changes during service or maintenance near critical areas, such as chillers, boilers and cooling towers. For equipment installed in large floor span areas or on roof tops the 3-inch deflection YRS-E isolators are best suited to compensate for the deflection of the floor structure and resistance of strong wind load.

Specifications

Restraint vibration isolator shall be of welded steel housing assemblies and consist of top load plate, with travel limit studs, spring cap or spring mount plate, level adjusting nuts and base plate with acoustical pad. Bolting holes are provided in base plate. Steel housing assemblies, level adjust nuts, locking screws and washers shall be hot-dipped galvanized as standard. Springs shall be free standing, large diameter with horizontal stiffness of at least 1.0 times the rated vertical stiffness and provide 50% overload capacity . Springs shall be color epoxy powder coated for corrosion resistance and load identification.



MODEL	IMPERIAL UNITS			COLOR CODE	METRIC UNITS			DIMENSION (mm)								
	Rated Load (lbs.)	Rated Defl. (in.)	Spring Rate (lbs./in.)		Rated Load (kg)	Rated Defl. (mm)	Spring Rate (kg/mm)	FH & OH	L	W	C	C-C	F	G	Taps	ΦH
YRS-E1-200	200	3.00	66.67	green	90.7	76.2	1.19	260	250	100	210	-	35	100	3 x M12	2 x Φ16
YRS-E1-240	240	3.00	80.00	dark blue	108.9	76.2	1.43									
YRS-E1-300	300	3.00	100.00	white	136.1	76.2	1.79									
YRS-E1-400	400	3.00	133.33	dark green	181.5	76.2	2.38									
YRS-E1-450	450	3.00	150.00	yellow	204.2	76.2	2.68									
YRS-E1-500	500	3.00	166.67	red	226.9	76.2	2.98									
YRS-E1-600	600	3.00	200.00	tan	272.2	76.2	3.57									
YRS-E1-700	700	3.00	233.33	grey	317.6	76.2	4.17									
YRS-E1-800	800	3.00	266.67	green	363.0	76.2	4.76									
YRS-E1-1150	1150	3.00	383.33	orange	521.8	76.2	6.85									
YRS-E1-1400	1400	3.00	466.67	black	635.2	76.2	8.34	290	280	130	240	-	35	100	3 x M12	2 x Φ16
YRS-E1-1600	1600	3.00	533.33	brown	726.0	76.2	9.53									
YRS-E1-1900	1900	3.00	633.33	dark green	862.1	76.2	11.31									
YRS-E1-2500	2500	3.00	833.33	blue	1134.3	76.2	14.89									
YRS-E1-2800	2800	3.00	933.33	red	1270.4	76.2	16.67									
YRS-E1-3000	3000	3.00	1000.00	dark blue	1361.2	76.2	17.86	330	300	160	260	130	50	100	3 x M12	2 x Φ16
YRS-E1-3500	3500	3.00	1166.67	d. blue + yellow	1588.0	76.2	20.84									
YRS-E1-4000	4000	3.00	1333.33	brown	1814.9	76.2	23.82									
YRS-E1-4500	4500	3.00	1500.00	black	2041.7	76.2	26.79									
YRS-E1-5000	5000	3.00	1666.67	green	2268.6	76.2	29.77	350	360	200	320	160	50	100	3 x M12	2 x Φ16
YRS-E1-5500	5500	3.00	1833.33	grey	2495.5	76.2	32.75									
YRS-E2-5600	5600	3.00	1866.67	red	2540.8	76.2	33.34	350	400	250	360	100	50	100	3 x M12	4 x Φ16
YRS-E2-6000	6000	3.00	2000.00	dark blue	2722.3	76.2	35.73									
YRS-E2-7000	7000	3.00	2333.33	d. blue + yellow	3176.0	76.2	41.68									
YRS-E2-8000	8000	3.00	2666.67	brown	3629.8	76.2	47.63	350	450	300	410	100	50	100	3 x M12	4 x Φ16
YRS-E2-9000	9000	3.00	3000.00	black	4083.5	76.2	53.59									
YRS-E2-10000	10000	3.00	3333.33	green	4537.2	76.2	59.54									
YRS-E2-11000	11000	3.00	3666.67	grey	4990.9	76.2	65.50									
YRS-E4-11200	11200	3.00	3733.33	red	5081.7	76.2	66.69									
YRS-E4-12000	12000	3.00	4000.00	dark blue	5444.6	76.2	71.45	350	460	320	420	120	50	100	3 x M12	4 x Φ16
YRS-E4-14000	14000	3.00	4666.67	d. blue + yellow	6352.1	76.2	83.36									
YRS-E4-16000	16000	3.00	5333.33	brown	7259.5	76.2	95.27	370	540	400	500	250	50	100	3 x M12	4 x Φ16
YRS-E4-18000	18000	3.00	6000.00	black	8167.0	76.2	107.18									
YRS-E4-20000	20000	3.00	6666.67	green	9074.4	76.2	119.09									
YRS-E4-22000	22000	3.00	7333.33	grey	9981.9	76.2	131.00									