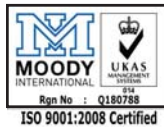




Tomahawk



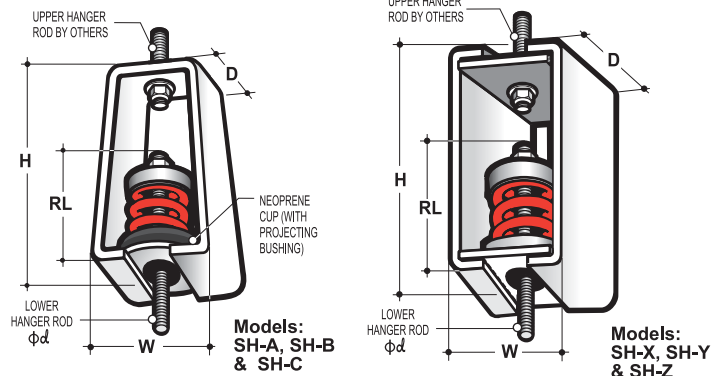
Rgn No : Q180788
ISO 9001:2008 Certified

1-Inch (25mm) Deflection

• SH-A, SH-B, SH-C • SH-X, SH-Y, SH-Z • SHDD-A, SHDD-B, SHDD-C • SHDD-X, SHDD-Y, SHDD-Z

SH-A, SH-B, SH-C, SH-X, SH-Y and SH-Z are Tomahawk's 1-inch (25mm) rated deflection spring hangers. The spring, color coated for easy load identification, is assembled in a noise breaking rubber cup, with projecting bushing passing through and holding firm in place with grommet to the lower support washer of hanger frame, preventing "short-circuiting" of hanger rod with hanger frame and an electroplated steel cap mounted on the spring. The hanger frame is constructed from thick gauge steel plates with large load bearing safety factor embedded in the design.

For lateral stability the criteria of the ratio, spring outside diameter to loading operating height is equal to or greater than 0.80 is being adhered to and the spring is optimally designed for safe load stress and a 50% overload capacity.



MODEL	IMPERIAL UNITS			COLOR CODE	METRIC UNITS			DIMENSION (mm)					
	Rated Load (lbs.)	Rated Defl. (in.)	Spring Rate (lbs./in.)		Rated Load (kg)	Rated Defl. (mm)	Spring Rate (kg/mm)	H	W	D	RL*	ϕd	
SH-A4e	4	1.35	2.96	gold	1.82	34.29	0.05	150	85	76	110	M12	
SH-A8e	8	1.40	5.71	brown	3.64	35.56	0.10						
SH-A10e	10	1.35	7.41	grey	4.55	34.29	0.13						
SH-A12e	12	1.31	9.16	red	5.45	33.27	0.16						
SH-A20e	20	1.35	14.81	orange	9.09	34.29	0.27						
SH-A25e	25	1.35	18.52	green	11.36	34.29	0.33						
SH-A36e	36	1.30	27.69	blue	16.36	33.02	0.50						
SH-A50e	50	1.45	34.48	white	22.73	36.83	0.62						
SH-A75e	75	1.38	54.35	yellow	34.09	35.05	0.97						
SH-A100e	100	1.32	75.76	grey	45.45	33.53	1.36						
SH-A125e	125	1.25	100.00	orange	56.82	31.75	1.79						
SH-A160e	160	1.18	135.59	tan	72.73	29.97	2.43						
SH-A190e	190	1.12	169.64	dark green	86.36	28.45	3.04						
SH-A210e	210	1.10	190.91	red	95.45	27.94	3.42						
SH-A270e	270	1.08	250.00	dark blue	122.73	27.43	4.47	190	100	90	125	M16	
SH-A300e	300	1.06	283.02	brown	136.36	26.92	5.06						
SH-A325e	325	1.04	312.02	grey	147.73	26.42	5.59						
SH-A350e	350	1.00	350.00	blue	159.09	25.40	6.26						
SH-A425e	425	1.00	425.00	orange	193.18	25.40	7.61						
SH-A450e	450	1.00	450.00	green	204.55	25.40	8.05						
SH-A575e	575	1.00	450.00	yellow	261.36	25.40	10.29						
SH-A620e	620	1.00	620.00	black	281.82	25.40	11.10						
SH-B90	90	1.85	48.65	brown	40.91	46.99	0.87	210	115	110	140	M20	
SH-B120	120	1.78	67.42	white	54.55	45.21	1.21						
SH-B155	155	1.67	92.81	orange	70.45	42.42	1.66						
SH-B200	200	1.56	128.21	tan	90.91	39.62	2.29						
SH-B270	270	1.45	186.21	red	122.73	36.83	3.33						
SH-B320	320	1.32	242.42	green	145.45	33.53	4.34						
SH-B445	445	1.30	342.31	blue	202.27	33.02	6.13						
SH-B500	500	1.25	400.00	pink	227.27	31.75	7.16						
SH-B550	550	1.20	458.33	orange	250.00	30.48	8.20						
SH-B630	630	1.12	562.50	grey	286.36	28.45	10.07						
SH-B815	815	1.05	776.19	black	370.45	26.67	13.89						
SH-B910	910	1.00	910.00	yellow	413.64	25.40	16.28						
SH-B1000	1000	1.00	1000.00	white	454.55	25.40	17.90						
SH-B1220i	1220	1.00	1220.00	black+yellow	554.55	25.40	21.83						
SH-B1450i	1450	1.00	1450.00	white+yellow	659.09	25.40	25.95						
SH-C650	650	1.38	471.01	yellow	295.45	35.05	8.43	250	150	130	165	M20	
SH-C750	750	1.28	585.94	orange	340.91	32.51	10.49						
SH-C900i	900	1.28	703.13	orange+tan	409.09	32.51	12.58						
SH-C1040	1040	1.10	945.45	white	472.73	27.94	16.92						
SH-C1260i	1260	1.10	1145.45	white+green	572.73	27.94	20.50						
SH-C1470	1470	1.00	1470.00	black	668.18	25.40	26.31						
SH-C1720i	1720	1.00	1720.00	black+red	781.82	25.40	30.78						
SH-C1900	1900	1.00	1900.00	yellow	863.64	25.40	34.00						
SH-C2080i	2080	1.00	2080.00	black+blue	945.45	25.40	37.22						
SH-C2330i	2330	1.00	2330.00	yellow+orange	1059.09	25.40	41.70						
SH-C2510i	2510	1.00	2510.00	yellow+blue	1140.91	25.40	44.92						
SH-X2750i	2750	1.00	2750.00	black+yellow	1247.73	25.40	49.12						
SH-X2950i	2950	1.00	2950.00	black+red	1338.48	25.40	52.70						
SH-X3150i	3150	1.00	3150.00	black+orange	1429.22	25.40	56.27						
SH-X3300i	3300	1.00	3300.00	black+white	1497.28	25.40	58.95						
SH-Y3500i	3500	1.00	3500.00	brown	1588.02	25.40	62.52	250	150	130	185	M22	
SH-Y3900i	3900	1.00	3900.00	brown+red	1769.51	25.40	69.67						
SH-Y4200i	4200	1.00	4200.00	brown+orange	1905.63	25.40	75.02						
SH-Y4500i	4500	1.00	4500.00	brown+blue	2041.74	25.40	80.38						
SH-Z5000i	5000	1.00	5000.00	red+black	2268.60	25.40	89.32	268	200	250	220	M24	
SH-2-X5500i	5500	1.00	5500.00	black+yellow	2495.46	25.40	98.25						
SH-2-X5900i	5900	1.00	5900.00	black+red	2676.95	25.40	105.39						
SH-2-X6300i	6300	1.00	6300.00	black+orange	2858.44	25.40	112.54						
SH-2-X6600i	6600	1.00	6600.00	black+white	2994.56	25.40	117.90						
SH-2-Y7000i	7000	1.00	7000.00	black+yellow	3176.04	25.40	125.04						
SH-2-Y7800i	7800	1.00	7800.00	black+red	3539.02	25.40	139.33						
SH-2-Y8400i	8400	1.00	8400.00	black+orange	3811.25	25.40	150.05						
SH-2-Y9000i	9000	1.00	9000.00	black+white	4083.48	25.40	160.77						
SH-2-Z10000i	10000	1.00	10000.00	red+black	4537.21	25.40	178.63	320	220	260	230	M27	

*Notes : (1) For SH-X, SH-Y & SH-Z, the spring is mounted in a cast iron spring cup, on top of acoustical rubber pad to the lower support of the steel hanger frame.

(2) Springs, hanger frames, spring caps, spring cups can be weather-proof treated with price add.

(3) SH-B1000 is now a single white spring only, SH-B1220i & SH-B1450i has a yellow spring inside, SH-C900 is now a single tan spring, SH-C1260i has a green spring inside, SH-C1720i has a red spring inside, SH-C2080i & SH-C2510i has a blue spring inside, SH-C2330i has an orange spring inside, SH-X2750i has a yellow spring inside, SH-X2950i has a red spring inside, SH-X3150i has an orange spring inside, SH-X3300i has a white spring inside, SH-Y3900i has a red spring inside, SH-Y4200i has an orange spring inside, SH-Y4500i has a blue spring inside, SH-Z5000i has a black spring inside.

Due to on going R & D Vibratech Industries Sdn. Bhd. reserve the right to upgrade and change specifications from time to time without notice.

RL* : Rod length of lower rod.

ϕd : Recommended rod dia. (diameter) one size higher possible.